

- |              |   |                        |
|--------------|---|------------------------|
| <b>(E)</b>   | <b>Instrucción de montaje</b><br>¡Leer primero!           | Barras de acero        |
| <b>(GB)</b>  | <b>Assembly instructions</b><br>Read first!               | Steel bars             |
| <b>(F)</b>   | <b>Instruction de montage</b><br>Lire en premier!         | Barres d'acier         |
| <b>(D)</b>   | <b>Montageanleitung</b><br>Zuerst lesen!                  | Stahldachträger        |
| <b>(PT)</b>  | <b>Instruções de montagem</b><br>Ler primeiro!            | Barras d'aço           |
| <b>(PL)</b>  | <b>Instrukcja montażu</b><br>Najpierw przeczytaj!         | Belki stalowe          |
| <b>(CZ)</b>  | <b>Montážní návod</b><br>Čtěte pozorně!                   | Ocelové střešní nosiče |
| <b>(HU)</b>  | <b>Szerelési Utasítás</b><br>Először olvasd el!           | Acél rudak             |
| <b>(RO)</b>  | <b>Instructiuni de montaj</b><br>Intai cititi!            | Čelične šipke          |
| <b>(HR)</b>  | <b>Detaljne upute</b><br>Prvo procitati!                  | Bare din otel          |
| <b>(GR)</b>  | <b>Διαβάστε προσεκτικά τις</b><br>Οδηγίες Συναρμολόγησης! | Μπάρες Σιδερέ          |
| <b>(TR)</b>  | <b>Öncelikle montaj:</b><br>Talimatlarını okuyunuz!       | Çelik barlar           |
| <b>(RU)</b>  | <b>Инструкции по монтажу</b><br>Сначала прочитайте!       | Стальные поперечины    |
| <b>(I)</b>   | <b>Istruzioni di montaggio</b><br>Leggere per primo!      | Barre d'acciaio        |
| <b>(NL)</b>  | <b>Montagehandleiding</b><br>Eerst lezen!                 | Stalen dakdragers      |
| <b>(SLO)</b> | <b>Navodila za sestavljanje</b><br>Preberite!             | Jeklene prečke         |

# 922-451

Lv7 2018-r4

Modelo-model:

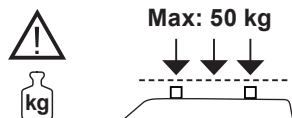
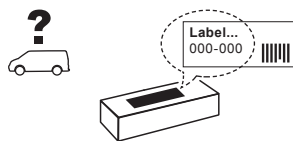
## Cruz Cargo SPro

Lote-Lot-Lot-Lot:

**02-15**

Peso-Weight-Poids-Gewicht:

**6,38 kg**



CEE - EEC type approval:

**(E9)** 26 R- 03 3022

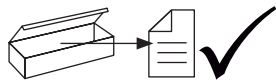




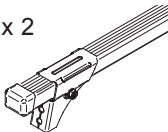

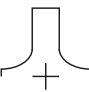

**CITY CRASH** (✓)  
According to ISO/ P. AS-11154:2006

CRUZBER SA  
ES-A14018311  
P.I. Las Salinas II  
14960 - Rute - Spain  
www.cruzber.com



1.



(E)	Contenido embalaje: ¡Verificar!	x 1	x 1
(GB)	Package content: Check!		
(F)	Contenu d'emballage: Vérifier!		
(D)	Packungsinhalt: Überprüfen!		
(PT)	Contéudo embalagem: Verificar!	x 2	x 3
(PL)	Zawartość opakowania: sprawdź!		
(CZ)	Obsah balení: Zkontrolujte!	(823-323) 120 cm	1x (810-117) 1x (810-099) 1x (805-032)
(HU)	Csomag tartalma: Ellenőrizd!		
(RO)	Pachetul contine: Verificati!		
(HR)	Sadržaj paketa: Provjeri!	x 4	x 4
(GR)	Ελέγξτε το περιεχόμενο: του πακέτου!		
(TR)	Paket içeriğini: Control ediniz!	2x (817-546) 1x (817-547) 1x (817-548)	(813-061)
(RU)	Содержание упаковки: Проверьте!		
(I)	Contenuto della confezione: Controllare!		
(NL)	Pakket inhoud: Controleer!		
(SLO)	Vsebina paketa: Preverite!		

2. 



→ **P. 3,4,5,10**



Ford Transit Connect Van L1 (2013 -->)  
Ford Transit Connect Van L2 (2013 -->)

(810-099)

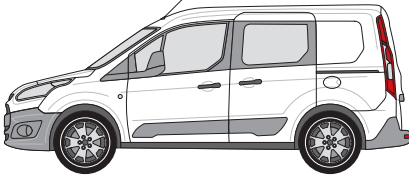


→ **P. 3,6,7,8,9,10**

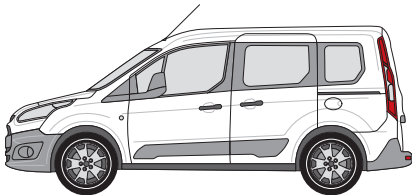


Ford Transit Connect Van Double Cab L1 (2013 -->)  
Ford Transit Connect Van Double Cab L2 (2013 -->)

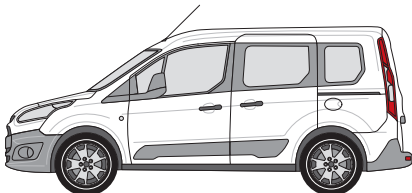
(810-117)



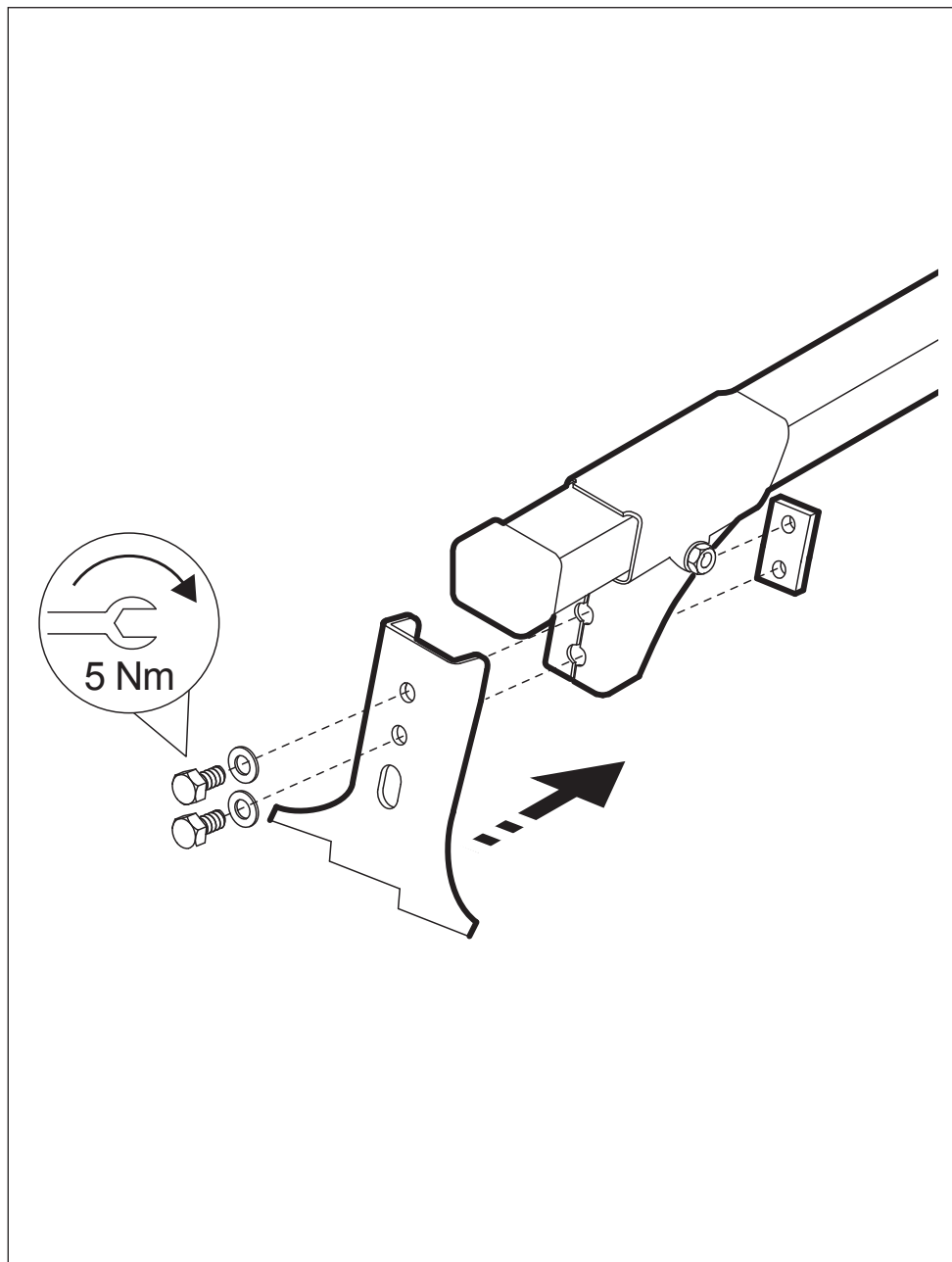
Ford Transit Connect Kombi L1 (2013-->)  
Ford Transit Connect Kombi L2 (2013-->)



Ford Tourneo Connect L1 (2013-->)  
Ford Tourneo Connect L2 (2013-->)



3.

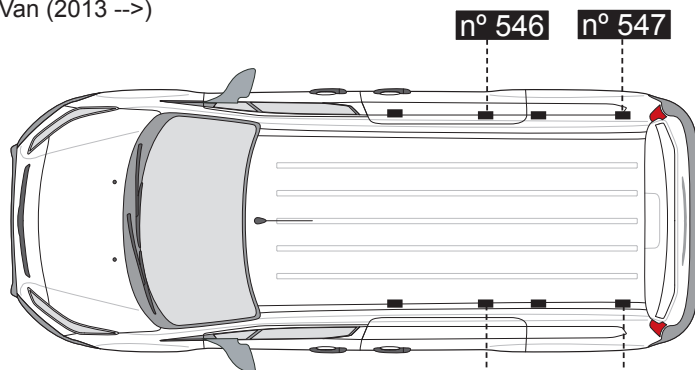


4. 

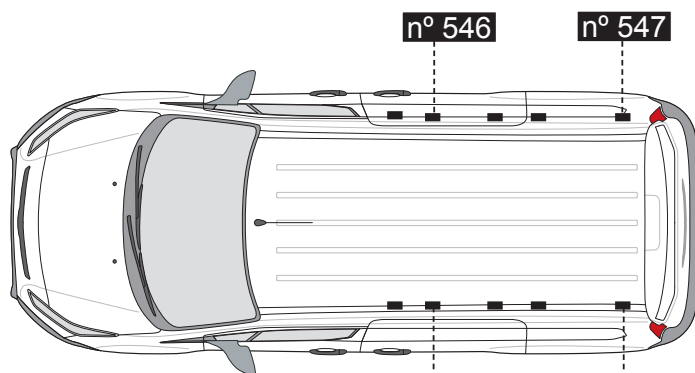
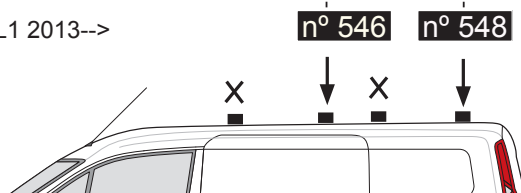


(810-099)

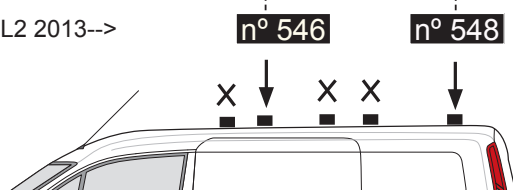
Transit Connect Van (2013 -->)



Ford Connect L1 2013-->



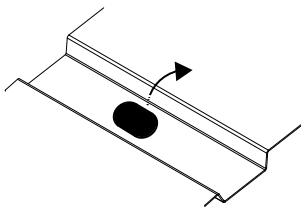
T Ford Connect L2 2013-->



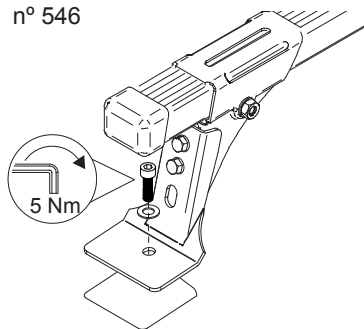
5. 

**Bolsa  
Bag**

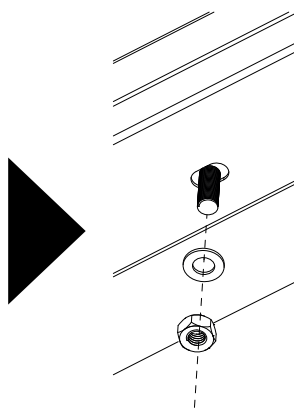
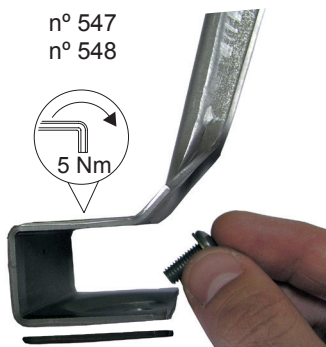
(810-099)



n° 546



n° 547  
n° 548

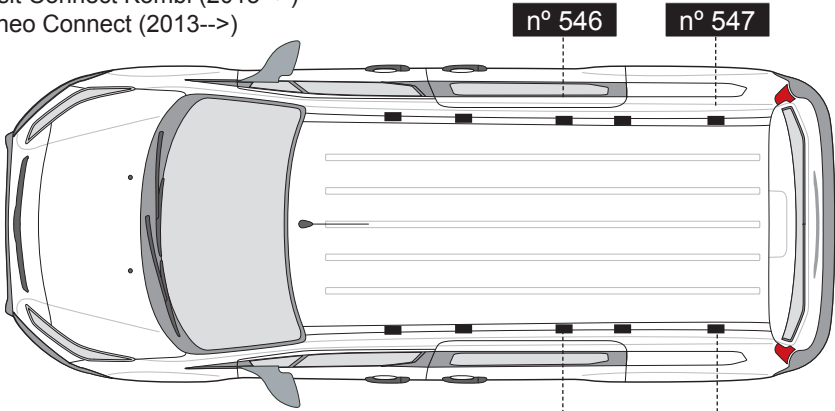


6.

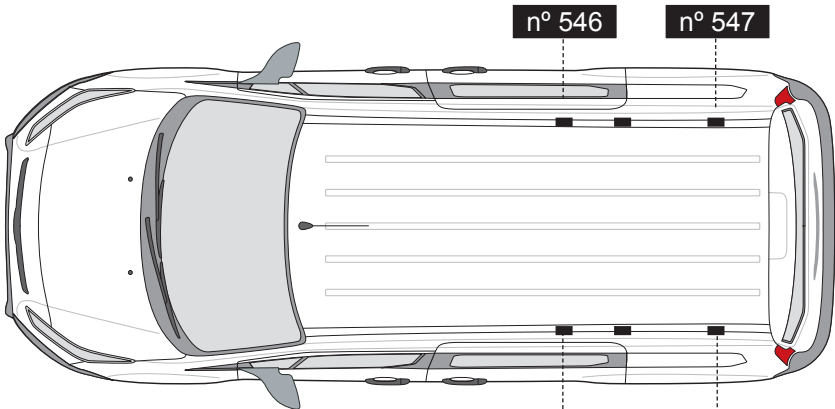
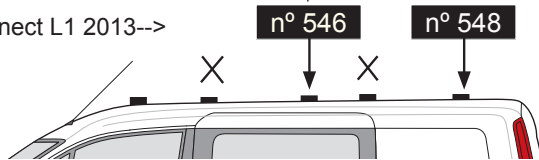


(810-117)

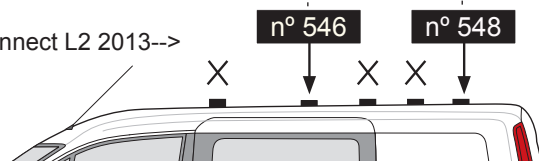
Transit Connect Van Double Cab (2013 -->)  
Transit Connect Kombi (2013-->)  
Tourneo Connect (2013-->)



Ford Connect L1 2013-->



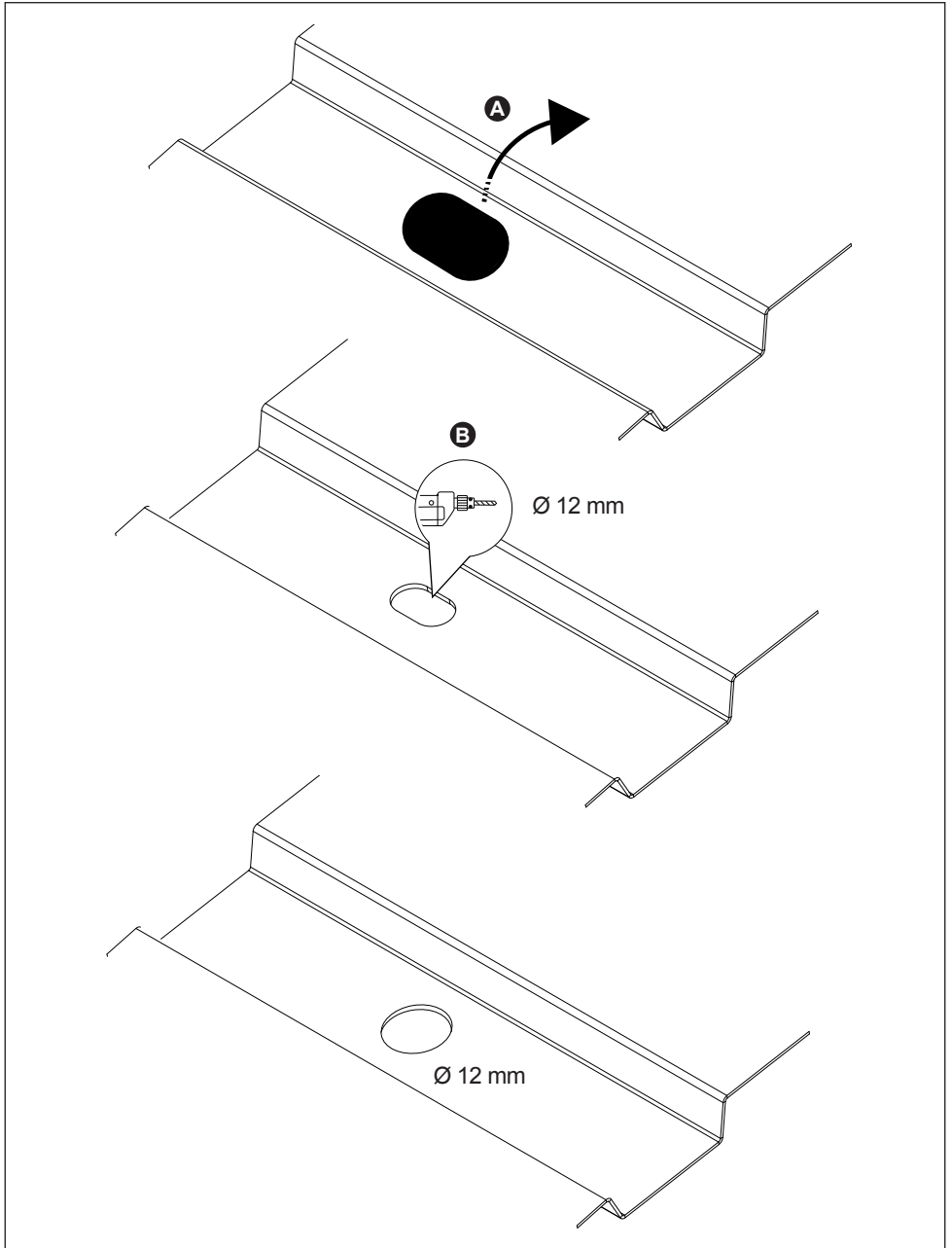
TFord Connect L2 2013-->



7.



(810-117)

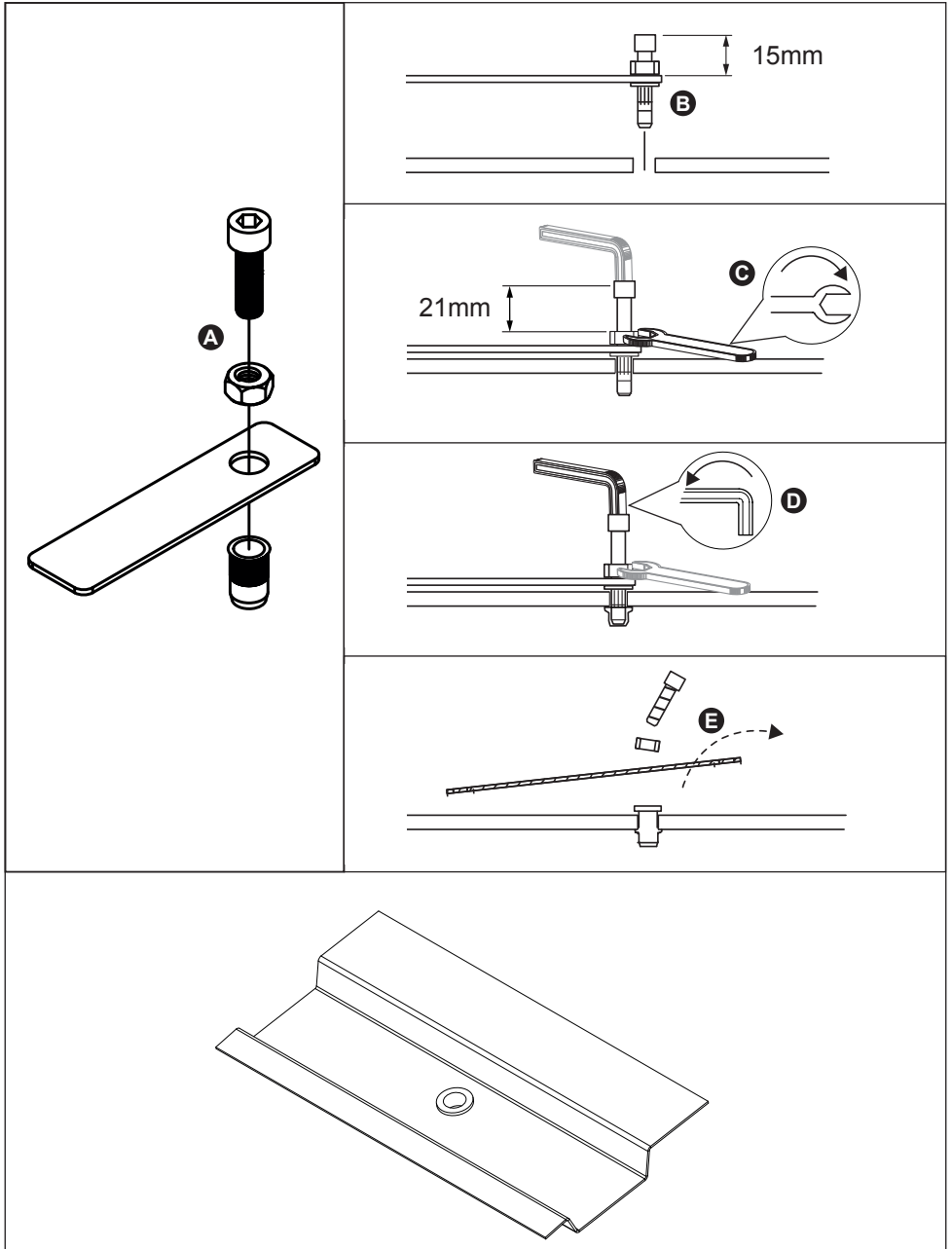




8.



(810-117)

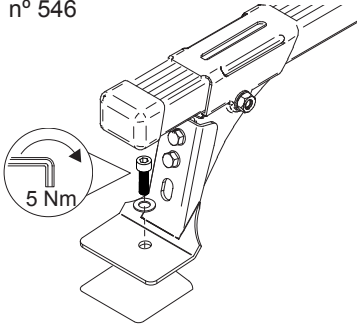


9.

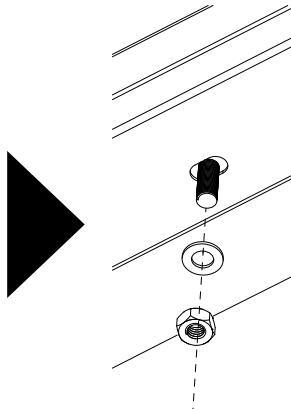


(810-117)

n° 546



n° 547  
n° 548



10.

